

ANTENNA VEHICLE MOUNT

Antenna Vehicle Mount for the SPARTIN™ Multi-Band Transceive Antenna

The Antenna Vehicle Mount is a rugged, military-grade, flexible mount for the SPARTIN Antenna. This multi-band transceive antenna may be installed on multiple vehicle types.

APPLICATIONS

- > Ground-mobile platforms
- > Tower perimeter surveillance



Antenna Vehicle Mount
PN: 430-1054-00X



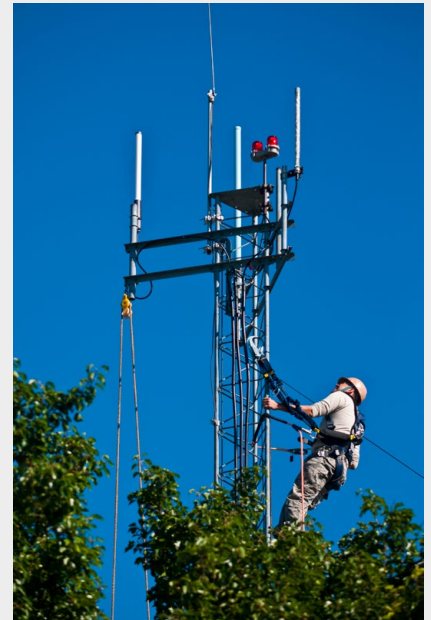
Antenna Vehicle Mount
attached to antenna



Rugged Mounting of SPARTIN Antenna on Multiple Vehicle Types

KEY FEATURES

- > Field-proven with over 15 years of deployment
- > More than 100,000 antennas have performed in harsh military environments for mobile communications and electronic warfare missions



SPECIFICATIONS

COLORS

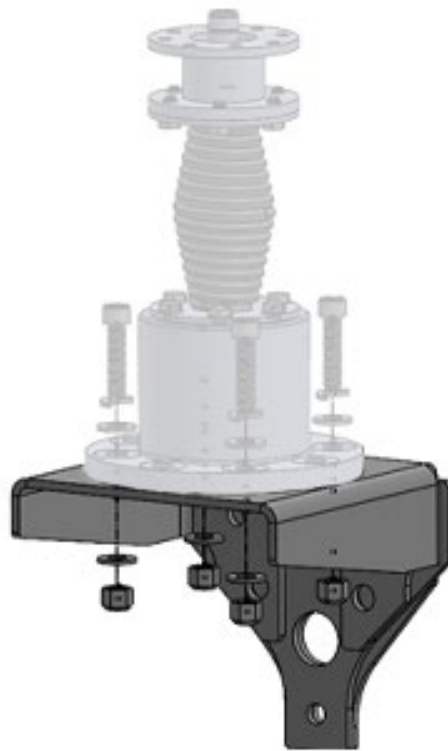
- > Gray
- > Tan
- > Green

ENVIRONMENTAL

- > Shock and vibration for wheeled and tracked vehicles
- > Beam strike
- > Sand/Dust/Rain
- > Grounding interfaces at flange and bolt heads

MECHANICAL

- > Height: 9.12 inches
- > Max Diameter: 5.7 inches
- > Weight: < 4 pounds
- > Base bolt pattern is compatible with standard SINCGARS 4-hole vehicle antenna mount



Optional Vehicle Mount Bracket/Backing Plate
PN: 430-1055-00X

Antenna Vehicle Mount (PN: 430-1054-00X)

© 2023 L3Harris Technologies, Inc. | 08/2023 | BCS | 23-DSD-311 | Rev-201

This Datasheet consists of L3Harris technologies general capabilities information that does not contain technical data as defined within the International Traffic Arms Regulations (ITAR) Part 120.10 or Export Administration Regulations (EAR) Part 734.7-11. Data, including specifications contained within this document are summary in nature and subject to change at any time without notice at L3Harris Technologies' discretion. All brand names and product names referenced are registered trademarks, or trade names of their respective holders. Use of U.S. DoD visual information does not imply or constitute DoD endorsement. DoD, OSR approved for public release Case No. 18-S-0782.

L3Harris Technologies is the Trusted Disruptor for the global aerospace and defense industry. With customers' mission-critical needs always in mind, our more than 50,000 employees deliver end-to-end technology solutions connecting the space, air, land, sea and cyber domains. L3Harris.com.

Use of U.S. DoD visual information does not imply or constitute DoD endorsement.



L3HARRIS®
FAST. FORWARD.

1025 W. NASA Boulevard
Melbourne, FL 32919
t 833 537 6837
CSW.Products@L3Harris.com