

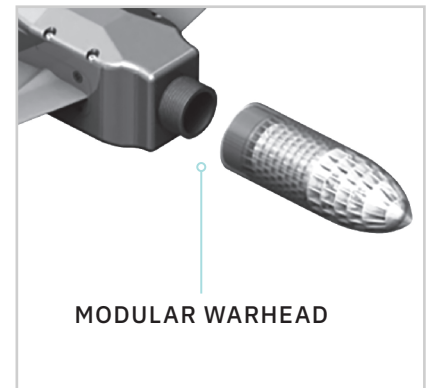


L3HARRIS®
FAST. FORWARD.

SHRYKE

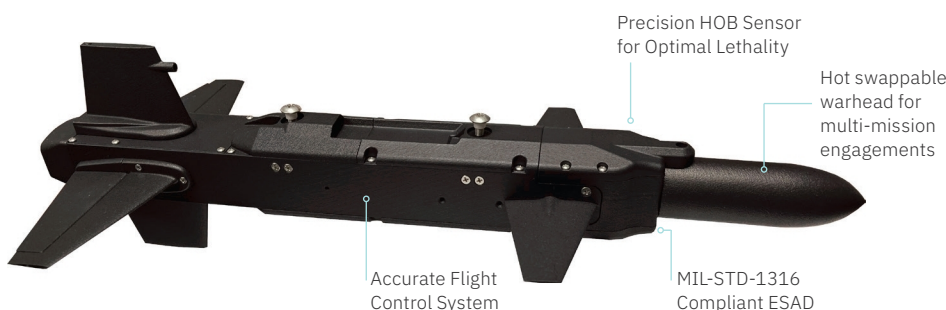
Multi-mission, precision strike capability.
Easy unmanned platform and vehicle integration.

SPECIFICATIONS	PROJECTILE	LAUNCHER
Mechanical		
Mass	< 2.5 lbs	< 16 lbs
Length	< 20 in	< 22 in
Width	< 10 in	< 35 in
Height	< 6 in	< 10 in
Electrical		
Battery	Lithium Polymer Battery	UAV Platform Power
ESAD	MIL-STD-1316 Architecture	-
Supply Voltage	-	14-40 V
Max Power	-	20 W
Lethality		
Warhead Mass	>1.0 lbs	-
Missions	Anti-personnel, anti-material Additional designs in process	-
Target Engagement		
HOB Sensor	Primary	-
Impact Sensor	Secondary	-
Performance		
GPS Guidance	± 6.5 ft (M-Code Capable)	-
Max Release Altitude	> 5,000 Feet AGL 1:1 Cross range achieved at 3000 ft Horizontal or vertical release	-
SAL Seeker	Integration ETA Q4 2024	
Weapon Control and Integration		
Current Interface	Shryke Weapon Control Software through Shryke operator workstation (laptop) via ethernet.	
Additional WCS in Discussion		



MULTI-MISSION CAPABLE

- > Combination of warhead, fuzing, and target sensing maximizes mission success
- > Modular warhead system allows for quick hot swapping of warhead to meet mission requirements depending on target
- > GPS guided system allows for silent independent simultaneous target engagement
- > Semi-active laser seeker system currently being integrated



L3Harris.com

SYSTEM SAFETY

- > Electronic Safe and Arming Device with a MIL-STD-1316 compliant architecture, ensures <1 in 1,000,000 probability of early arming/firing
- > Safety system is similar to traditional bomb systems, which allow the UAV to return to base even if targets are not engaged
- > Not a loitering or “kamikaze” type of weapon system



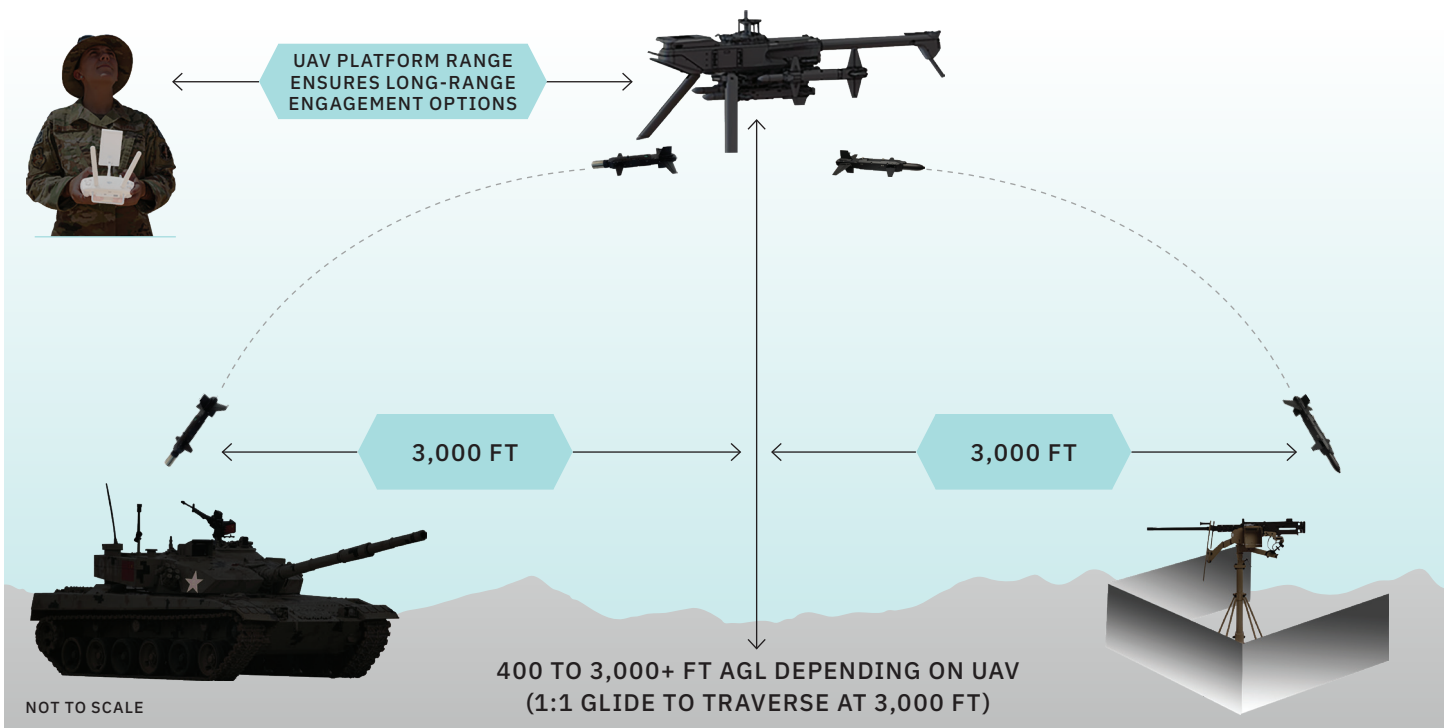
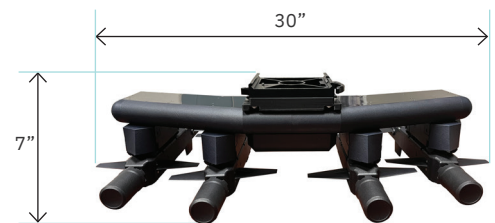
BOMB RACK OPTIONS

- > Platform agnostic bomb racks for quick integration onto any UAV
- > 4-up bomb rack allows for independent simultaneous target engagement

UAV GROUP 1 BOMB RACK



UAV GROUP 2+ BOMB



SHRYKE

© 2024 L3Harris Technologies, Inc. | 03/2024 | L25040
 Cleared by DOPSR for public release under 24-T-1384 on April 30, 2024.

Non-Export Controlled Information. These item(s)/data have been reviewed in accordance with the International Traffic in Arms Regulations (ITAR), 22 CFR part 120.34 and the Export Administration Regulations S (EAR), 15 CFR 734(3)(b)(3), and may be released without export restrictions.

L3Harris Technologies is the Trusted Disruptor in the defense industry. With customers' mission-critical needs always in mind, our 50,000 employees deliver end-to-end technology solutions connecting the space, air, land, sea and cyber domains in the interest of national security.



L3Harris Technologies, Inc.

1025 W. NASA Boulevard
 Melbourne, FL 32919

L3Harris.com