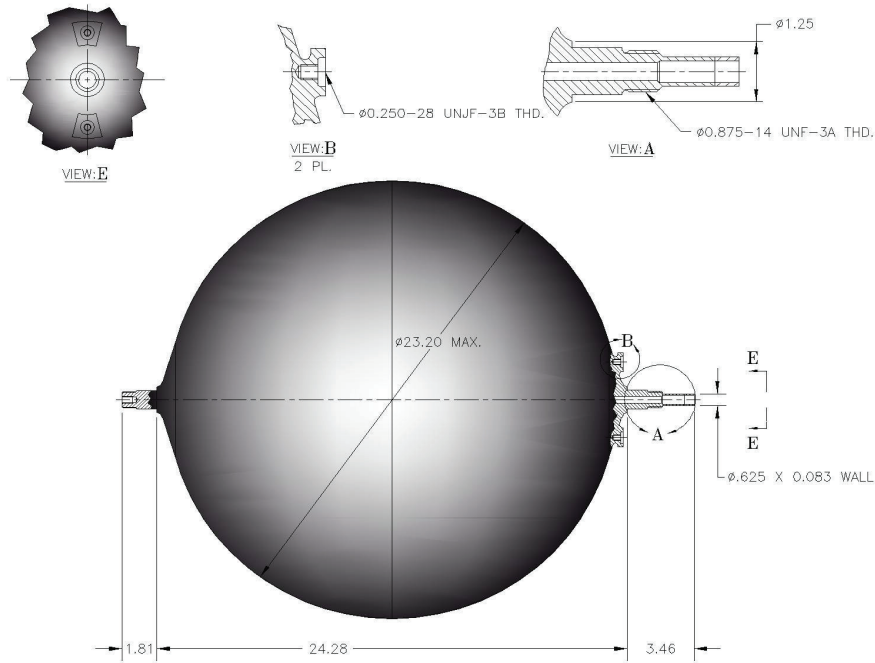




**L3HARRIS®**  
FAST. FORWARD.

# ARDE PART NUMBER 4005

All Metal



SPECIFICATIONS		MATERIAL OF CONSTRUCTION	
Volume (cubic inches)	5875	Tank	Cryoformed CRES 301
Operating Pressure (psig)	4900	Porting Interface	CRES 304L tube
Proof Factor	1.5		
Minimum Burst Factor	2.0		
Actual Rupture Pressure (psig)	10525		
Weight (pounds)	107		
Environmental Load (He)	Contact L3Harris		
Qualification Basis Standard	MIL-STD-1522A AIAA-S-080		

For more information call L3Harris at (201) 270-5800 or email [ContactARDE@L3Harris.com](mailto:ContactARDE@L3Harris.com)

ARDE Part Number 4005

© 2024 L3Harris Technologies, Inc. | 08/2024 | L25290

**NON-EXPORT CONTROLLED:** THIS DOCUMENT CONSISTS OF INFORMATION THAT IS NOT DEFINED AS CONTROLLED TECHNICAL DATA UNDER ITAR PART 120.33 OR TECHNOLOGY UNDER EAR PART 772.

L3Harris Technologies is the Trusted Disruptor in the defense industry. With customers' mission-critical needs always in mind, our employees deliver end-to-end technology solutions connecting the space, air, land, sea and cyber domains in the interest of national security. Visit [L3Harris.com](https://www.l3harris.com) for more information.

**L3Harris Technologies, Inc.**

1025 W. NASA Boulevard  
Melbourne, FL 32919

[L3Harris.com](https://www.l3harris.com)