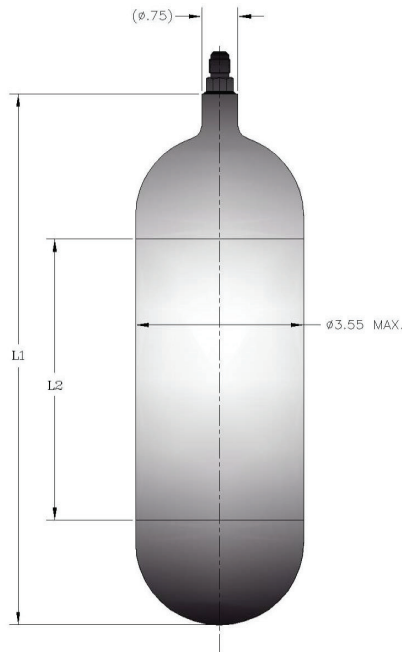




**L3HARRIS®**  
FAST. FORWARD.

# ARDE PART NUMBER 4600

All Metal



DASH NO.	L1	L2	W	V
-1	11.4 MAX.	6.00	2.40 lb. MAX.	80 cu. in. MIN.
-2	11.4 MAX.	6.00	2.40 lb. MAX.	80 cu. in. MIN.
-3	8.4 MAX.	3.00	1.80 lb. MAX.	53 cu. in. MIN.
-4	8.4 MAX.	3.00	1.80 lb. MAX.	53 cu. in. MIN.

## SPECIFICATIONS

	-1/-2 Config	-3/-4 Config
Volume (cubic inches)	53	80
Operating Pressure (psig)	600	600
Proof Factor	1.5	1.5
Minimum Burst Factor	4.0	4.0
Actual Rupture Pressure (psig)	2970	2970
Weight (pounds)	1.8	2.4
Environmental Vibration Load	Contact L3Harris	Contact L3Harris
Qualification Basis Standard	MIL-STD-1522A	MIL-STD-1522A
	AIAA-S-080	AIAA-S-080

## MATERIAL OF CONSTRUCTION

Tank	Cryoformed CRES 301
Fluid Interface	-4 CRES 304L mechanical fitting

For more information call L3Harris at (201) 270-5800 or email [ContactARDE@L3Harris.com](mailto:ContactARDE@L3Harris.com)

### ARDE Part Number 4600

© 2024 L3Harris Technologies, Inc. | 08/2024 | L25290

**NON-EXPORT CONTROLLED:** THIS DOCUMENT CONSISTS OF INFORMATION THAT IS NOT DEFINED AS CONTROLLED TECHNICAL DATA UNDER ITAR PART 120.33 OR TECHNOLOGY UNDER EAR PART 772.

L3Harris Technologies is the Trusted Disruptor in the defense industry. With customers' mission-critical needs always in mind, our employees deliver end-to-end technology solutions connecting the space, air, land, sea and cyber domains in the interest of national security. Visit [L3Harris.com](http://L3Harris.com) for more information.

**L3Harris Technologies, Inc.**

1025 W. NASA Boulevard  
Melbourne, FL 32919

[L3Harris.com](http://L3Harris.com)