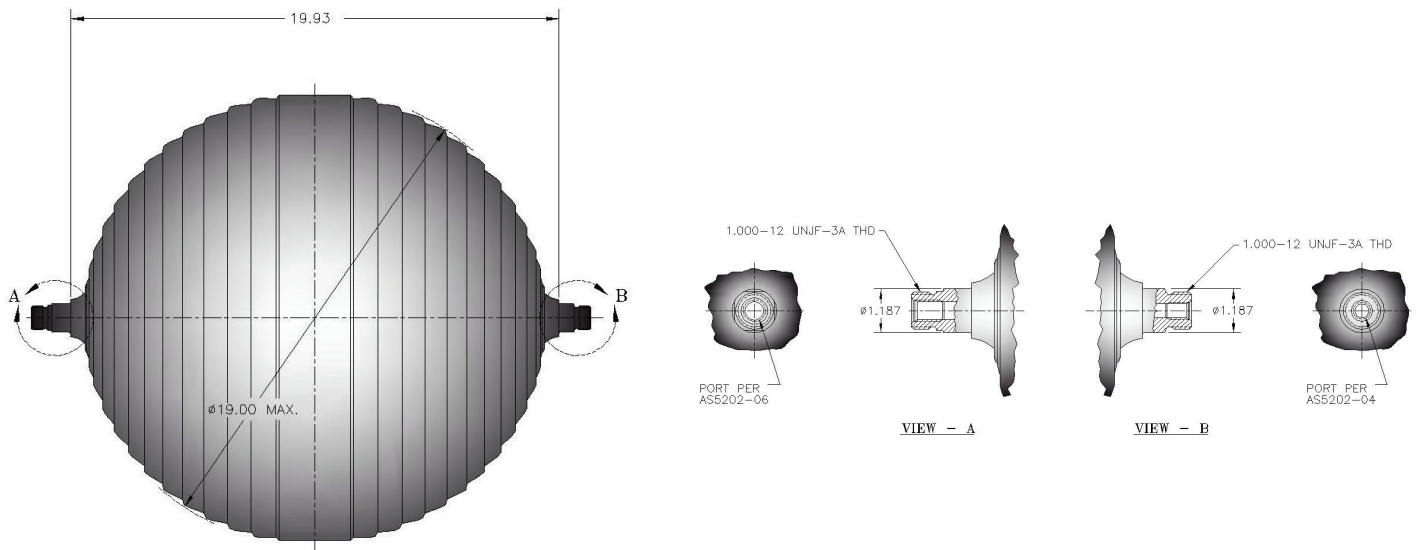




L3HARRIS®
FAST. FORWARD.

ARDE PART NUMBER 4333

Composite Overwrapped Pressure Vessels (COPV)



SPECIFICATIONS	
Volume (cubic inches)	3063
Operating Pressure (psig)	4000
Proof Factor	1.25
Minimum Burst Factor	1.5
Actual Rupture Pressure (psig)	9663 @ 200F°
Weight (pounds)	25
Qualification Basis Standard	MIL-STD-1522A
	AIAA-S081

MATERIAL OF CONSTRUCTION	
Liner	Cryoformed CRES 301
Porting Interface	Mechanical Port
Wrap	Fiber: T-1000
	Resin: 31-43B
	Liner/composite bond-none
Environmental Load (He)	Component qual
	Axial 22.0 Grms
	Lateral 41.5 Grms

For more information call L3Harris at (201) 270-5800 or email ContactARDE@L3Harris.com

ARDE Part Number 4333

© 2024 L3Harris Technologies, Inc. | 09/2024 | L25289

NON-EXPORT CONTROLLED: THIS DOCUMENT CONSISTS OF INFORMATION THAT IS NOT DEFINED AS CONTROLLED TECHNICAL DATA UNDER ITAR PART 120.33 OR TECHNOLOGY UNDER EAR PART 772.

L3Harris Technologies is the Trusted Disruptor in the defense industry. With customers' mission-critical needs always in mind, our employees deliver end-to-end technology solutions connecting the space, air, land, sea and cyber domains in the interest of national security. Visit [L3Harris.com](https://www.l3harris.com) for more information.

L3Harris Technologies, Inc.

1025 W. NASA Boulevard
Melbourne, FL 32919

[L3Harris.com](https://www.l3harris.com)