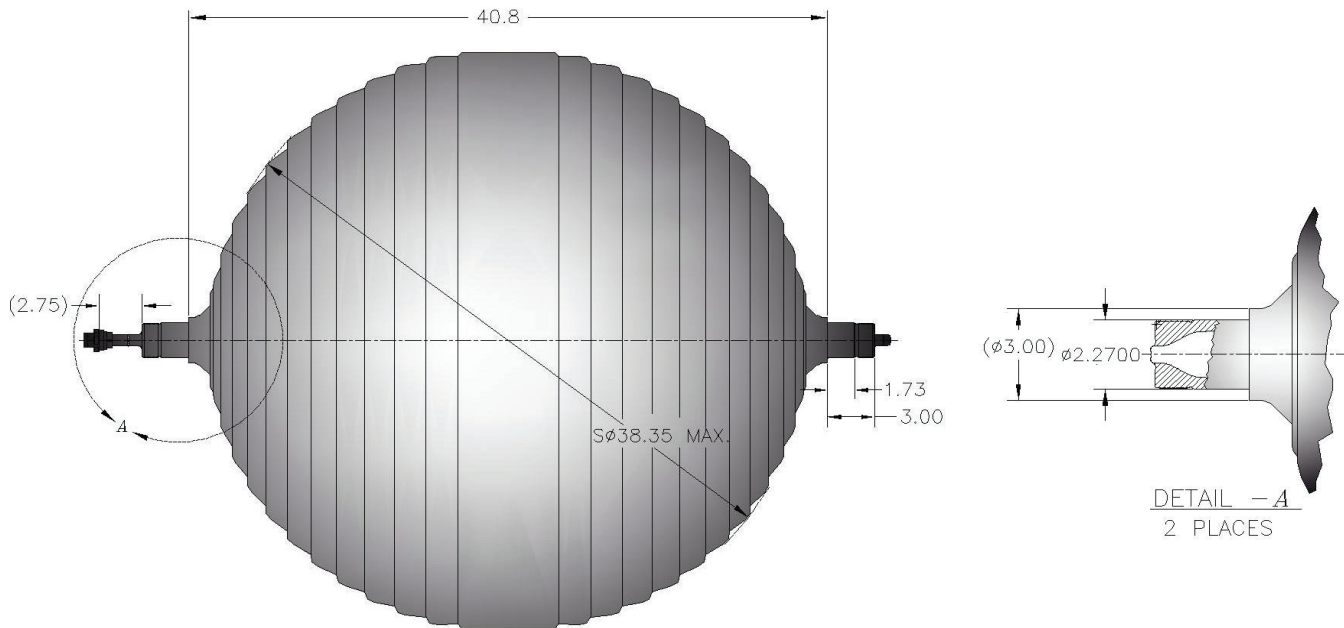




**L3HARRIS®**  
FAST. FORWARD.

# ARDE PART NUMBER 4467

## Composite Overwrapped Pressure Vessels (COPV)



SPECIFICATIONS	
Volume (cubic inches)	15.1
Operating Pressure (psig)	3400
Proof Factor	1.5
Minimum Burst Factor	2.0
Actual Rupture Pressure (psig)	7500
Weight (pounds)	240
Qualification Basis Standard	MIL-STD-1522A
	AIAA-S081

MATERIAL OF CONSTRUCTION	
Liner	Cryoformed CRES 301
Tubing Interface	CRES 304L
Wrap	Fiber: T-1000
	Resin: 31-43B
Environmental Vibration Load (N <sub>e</sub> )	Liner/composite bond-none
	Component qual
	Axial 12.67 Grms
	Lateral 11.52 Grms

For more information call L3Harris at (201) 270-5800 or email [ContactARDE@L3Harris.com](mailto:ContactARDE@L3Harris.com)

ARDE Part Number 4467

© 2024 L3Harris Technologies, Inc. | 09/2024 | L25289

**NON-EXPORT CONTROLLED:** THIS DOCUMENT CONSISTS OF INFORMATION THAT IS NOT DEFINED AS CONTROLLED TECHNICAL DATA UNDER ITAR PART 120.33 OR TECHNOLOGY UNDER EAR PART 772.

L3Harris Technologies is the Trusted Disruptor in the defense industry. With customers' mission-critical needs always in mind, our employees deliver end-to-end technology solutions connecting the space, air, land, sea and cyber domains in the interest of national security. Visit [L3Harris.com](https://www.l3harris.com) for more information.

**L3Harris Technologies, Inc.**

1025 W. NASA Boulevard  
Melbourne, FL 32919

[L3Harris.com](https://www.l3harris.com)