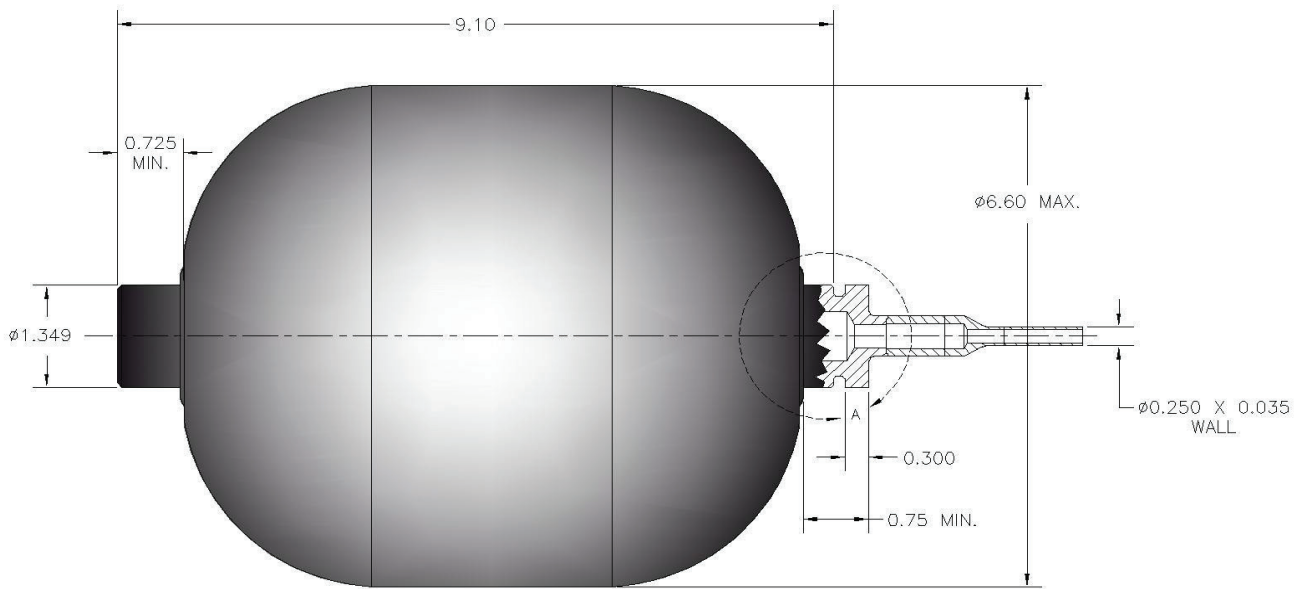




L3HARRIS®
FAST. FORWARD.

ARDE PART NUMBER 4916

Composite Overwrapped Pressure Vessels (COPV)



SPECIFICATIONS	
Volume (cubic inches)	175
Operating Pressure (psig)	2200
Proof Factor	3
Minimum Burst Factor	3.5
Actual Rupture Pressure (psig)	12500 (by similarity)
Weight (pounds)	3.3
Qualification Basis Standard	MIL-STD-1522A AIAA-S081

MATERIAL OF CONSTRUCTION	
Liner	Al-2219
Tubing Interface	CRES 304L
Wrap	Fiber: T-1000
	Resin: 31-43B
Environmental Load (Xe by Similarity)	Adhesive-Cytec FM-73
	Component qual
	Axial 10.87 Grms Lateral 11.83 Grms

For more information call L3Harris at (201) 270-5800 or email ContactARDE@L3Harris.com

ARDE Part Number 4916

© 2024 L3Harris Technologies, Inc. | 09/2024 | L25289

NON-EXPORT CONTROLLED: THIS DOCUMENT CONSISTS OF INFORMATION THAT IS NOT DEFINED AS CONTROLLED TECHNICAL DATA UNDER ITAR PART 120.33 OR TECHNOLOGY UNDER EAR PART 772.

L3Harris Technologies is the Trusted Disruptor in the defense industry. With customers' mission-critical needs always in mind, our employees deliver end-to-end technology solutions connecting the space, air, land, sea and cyber domains in the interest of national security. Visit L3Harris.com for more information.

L3Harris Technologies, Inc.

1025 W. NASA Boulevard
Melbourne, FL 32919

L3Harris.com