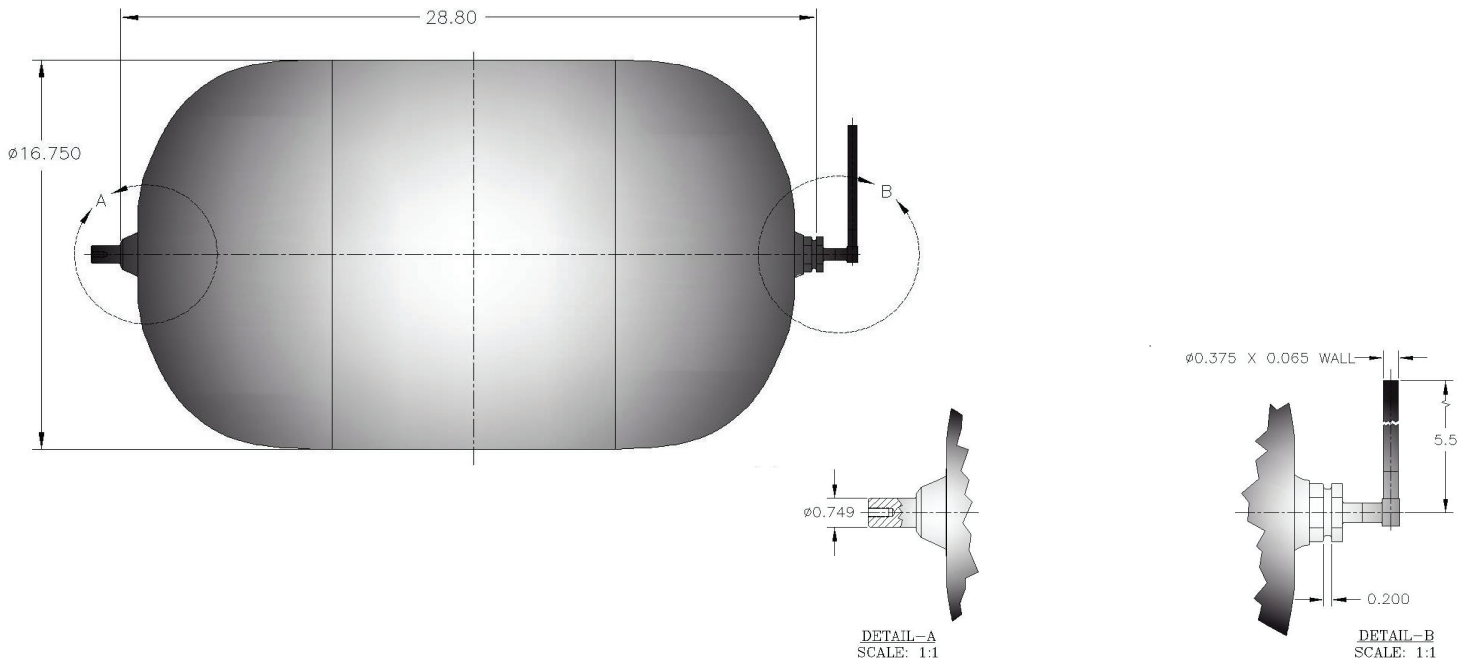




L3HARRIS®
FAST. FORWARD.

ARDE PART NUMBER 5004

Composite Overwrapped Pressure Vessels (COPV)



SPECIFICATIONS	
Volume (cubic inches)	4800
Operating Pressure (psig)	4500
Proof Factor	1.25
Minimum Burst Factor	1.5
Actual Rupture Pressure (psig)	10760
Weight (pounds)	34.3
Qualification Basis Standard	MIL-STD 1522A
	AIAA-S081

MATERIAL OF CONSTRUCTION	
Tank	Inconel-718
Porting Interface	CRES 304L tube
Wrap	Fiber: T-1000
	Resin: 31-43B
	Adhesive-Cytec FM-73
Environmental Load	Component qual
	Axial 5.64 Grms
	Lateral 5.81 Grms

For more information call L3Harris at (201) 270-5800 or email ContactARDE@L3Harris.com

ARDE Part Number 5004

© 2024 L3Harris Technologies, Inc. | 09/2024 | L25289

NON-EXPORT CONTROLLED: THIS DOCUMENT CONSISTS OF INFORMATION THAT IS NOT DEFINED AS CONTROLLED TECHNICAL DATA UNDER ITAR PART 120.33 OR TECHNOLOGY UNDER EAR PART 772.

L3Harris Technologies is the Trusted Disruptor in the defense industry. With customers' mission-critical needs always in mind, our employees deliver end-to-end technology solutions connecting the space, air, land, sea and cyber domains in the interest of national security. Visit L3Harris.com for more information.

L3Harris Technologies, Inc.

1025 W. NASA Boulevard
Melbourne, FL 32919

L3Harris.com