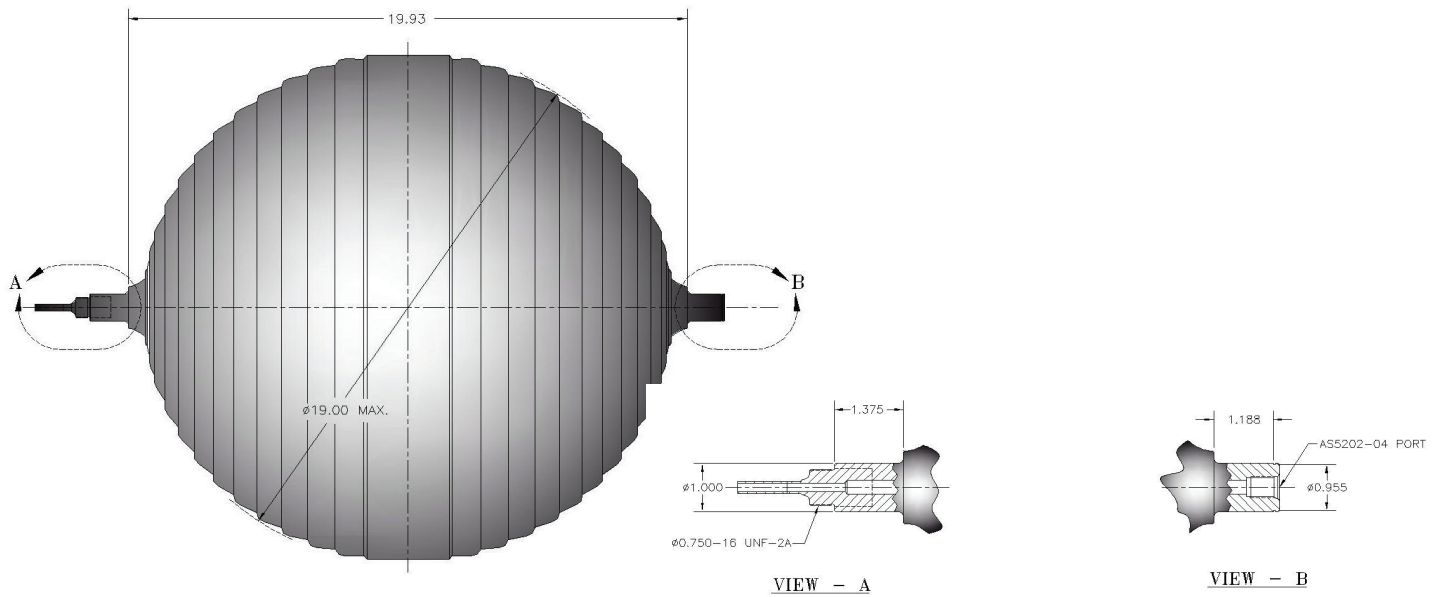




L3HARRIS®
FAST. FORWARD.

ARDE PART NUMBER 5021

Composite Overwrapped Pressure Vessels (COPV)



SPECIFICATIONS	
Volume (cubic inches)	3063
Operating Pressure (psig)	4500
Proof Factor	1.5
Minimum Burst Factor	2.0
Actual Rupture Pressure (psig)	9663 (by similarity)
Weight (pounds)	25.6
Qualification Basis Standard	MIL-STD-1522A AIAA-S-080

MATERIAL OF CONSTRUCTION	
Liner	I-718
Porting Interface	CRES 304L tube
Wrap	Fiber: T-1000
	Resin: 31-43B
	Liner/composite bond-none
Environmental Load	Contact L3Harris

For more information call L3Harris at (201) 270-5800 or email ContactARDE@L3Harris.com

ARDE Part Number 5021

© 2024 L3Harris Technologies, Inc. | 09/2024 | L25289

NON-EXPORT CONTROLLED: THIS DOCUMENT CONSISTS OF INFORMATION THAT IS NOT DEFINED AS CONTROLLED TECHNICAL DATA UNDER ITAR PART 120.33 OR TECHNOLOGY UNDER EAR PART 772.

L3Harris Technologies is the Trusted Disruptor in the defense industry. With customers' mission-critical needs always in mind, our employees deliver end-to-end technology solutions connecting the space, air, land, sea and cyber domains in the interest of national security. Visit [L3Harris.com](https://www.l3harris.com) for more information.

L3Harris Technologies, Inc.

1025 W. NASA Boulevard
Melbourne, FL 32919

[L3Harris.com](https://www.l3harris.com)