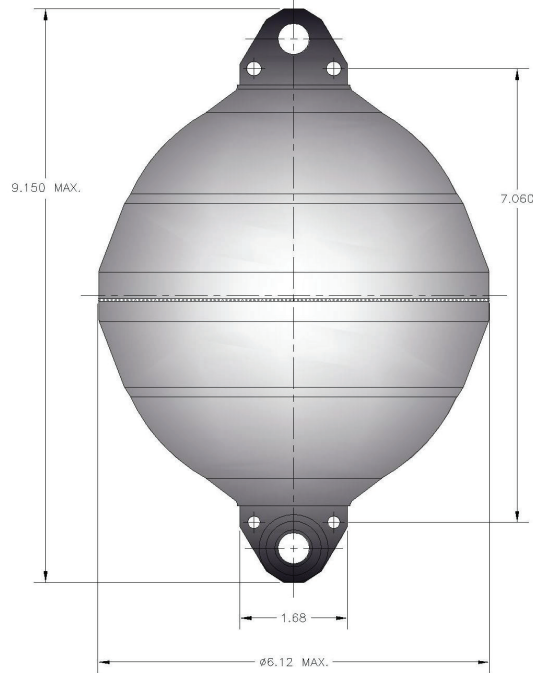




**L3HARRIS®**  
FAST. FORWARD.

# ARDE PART NUMBER 4030

Propellant



SPECIFICATIONS	
Volume (cubic inches)	103.2
Operating Pressure (psig)	500
Proof Factor	1.5
Minimum Burst Factor	2.0
Actual Rupture Pressure (psig)	1720
Weight (pounds)	2.87
Qualification Basis Standard	MIL-STD-1522A
	AIAA-S-080

MATERIAL OF CONSTRUCTION	
Tank	Shell-cryoformed CRES 301 Diaphragm CRES 304L
Porting Interface	CRES 304L
Expulsion Efficiency	Contact L3Harris
Environmental Load (N <sub>2</sub> H <sub>4</sub> )	Component qual
	Axial 6.8 Grms
	Lateral 6.8 Grms

For more information call L3Harris at (201) 270-5800 or email [ContactARDE@L3Harris.com](mailto:ContactARDE@L3Harris.com)

ARDE Part Number 4030

© 2024 L3Harris Technologies, Inc. | 08/2024 | L25291

**NON-EXPORT CONTROLLED:** THIS DOCUMENT CONSISTS OF INFORMATION THAT IS NOT DEFINED AS CONTROLLED TECHNICAL DATA UNDER ITAR PART 120.33 OR TECHNOLOGY UNDER EAR PART 772.

L3Harris Technologies is the Trusted Disruptor in the defense industry. With customers' mission-critical needs always in mind, our employees deliver end-to-end technology solutions connecting the space, air, land, sea and cyber domains in the interest of national security. Visit [L3Harris.com](http://L3Harris.com) for more information.

**L3Harris Technologies, Inc.**

1025 W. NASA Boulevard  
Melbourne, FL 32919

[L3Harris.com](http://L3Harris.com)