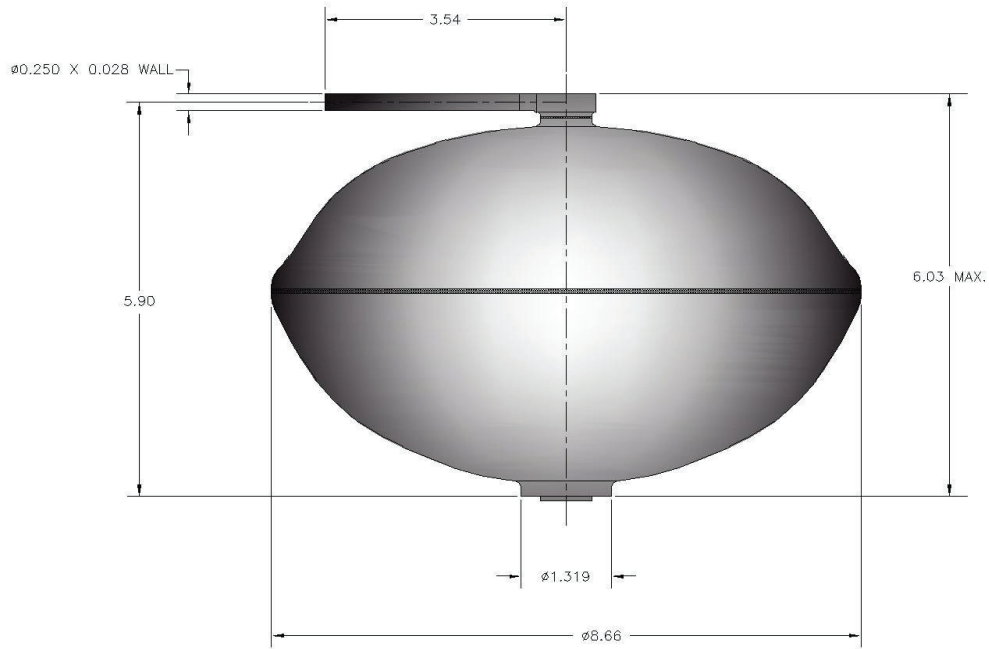




L3HARRIS®
FAST. FORWARD.

ARDE PART NUMBER 4524

Propellant



SPECIFICATIONS	
Volume (cubic inches)	170
Operating Pressure (psig)	927
Proof Factor	1.25
Minimum Burst Factor	1.5
Actual Rupture Pressure (psig)	1895
Weight (pounds)	2.74
Qualification Basis Standard	MIL-STD-1522A AIAA-S-080

MATERIAL OF CONSTRUCTION	
Tank	Shell Al-2219 Diaphragm Al-1100
Porting Interfaces	Inlet :Ti-3Al-2.5V Tube Outlet: Al-2219 Weld Stub
Expulsion Efficiency	Contact L3Harris
Environmental Vibration Load MON or MMH	Component qual
	Axial 21.03 Grms
	Lateral 21.03 Grms

For more information call L3Harris at (201) 270-5800 or email ContactARDE@L3Harris.com

ARDE Part Number 4524

© 2024 L3Harris Technologies, Inc. | 08/2024 | L25291

NON-EXPORT CONTROLLED: THIS DOCUMENT CONSISTS OF INFORMATION THAT IS NOT DEFINED AS CONTROLLED TECHNICAL DATA UNDER ITAR PART 120.33 OR TECHNOLOGY UNDER EAR PART 772.

L3Harris Technologies is the Trusted Disruptor in the defense industry. With customers' mission-critical needs always in mind, our employees deliver end-to-end technology solutions connecting the space, air, land, sea and cyber domains in the interest of national security. Visit L3Harris.com for more information.

L3Harris Technologies, Inc.

1025 W. NASA Boulevard
Melbourne, FL 32919

L3Harris.com