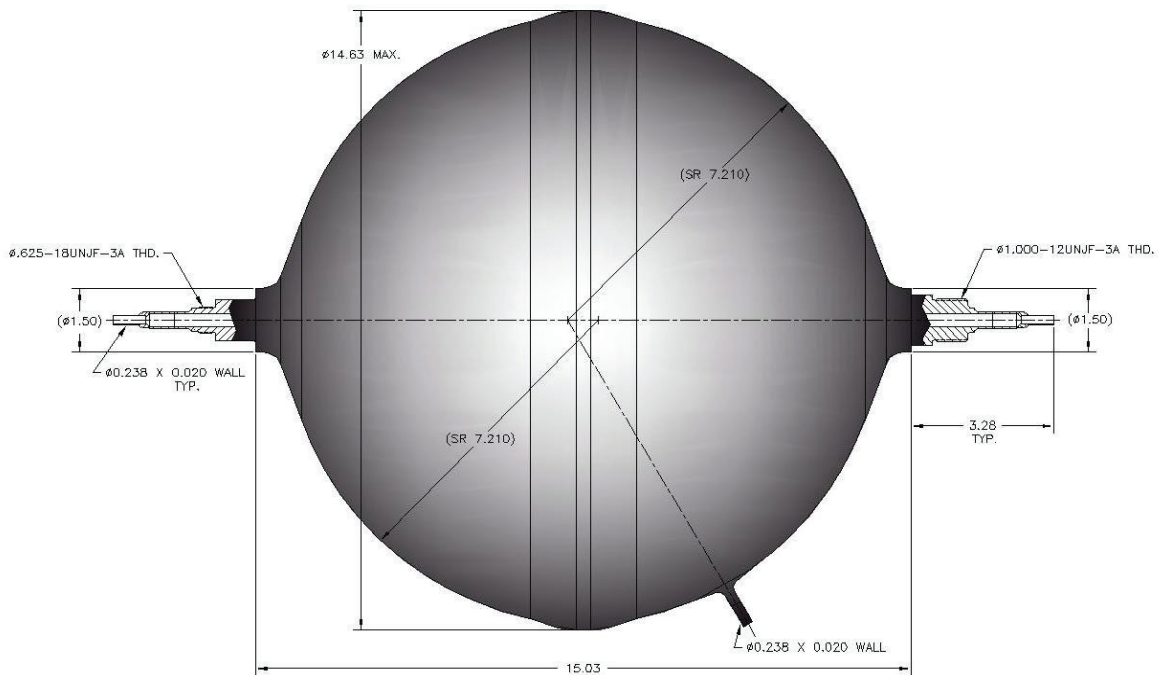




L3HARRIS®
FAST. FORWARD.

ARDE PART NUMBER 4715

Propellant



SPECIFICATIONS	
Volume (cubic inches)	1356
Operating Pressure (psig)	427
Proof Factor	1.5
Minimum Burst Factor	2.0
Actual Rupture Pressure (psig)	1763
Weight (pounds)	11.24 (10.5 nominal)
Qualification Basis Standard	MIL-STD-1522A AIAA-S-080

MATERIAL OF CONSTRUCTION	
Tank	Pressure Shell – Cryoformed CRES 301/304L Diaphragm -CRES 304L
Porting Interfaces	Pressurant CRES 304L Propellant CRES 304L
Expulsion Efficiency	Contact L3Harris
Environmental Load	Component qual (by similarity to E4407) Axial 25 Grms Lateral 36 Grms

For more information call L3Harris at (201) 270-5800 or email ContactARDE@L3Harris.com

ARDE Part Number 4715

© 2024 L3Harris Technologies, Inc. | 08/2024 | L25291

NON-EXPORT CONTROLLED: THIS DOCUMENT CONSISTS OF INFORMATION THAT IS NOT DEFINED AS CONTROLLED TECHNICAL DATA UNDER ITAR PART 120.33 OR TECHNOLOGY UNDER EAR PART 772.

L3Harris Technologies is the Trusted Disruptor in the defense industry. With customers' mission-critical needs always in mind, our employees deliver end-to-end technology solutions connecting the space, air, land, sea and cyber domains in the interest of national security. Visit L3Harris.com for more information.

L3Harris Technologies, Inc.

1025 W. NASA Boulevard
Melbourne, FL 32919

L3Harris.com